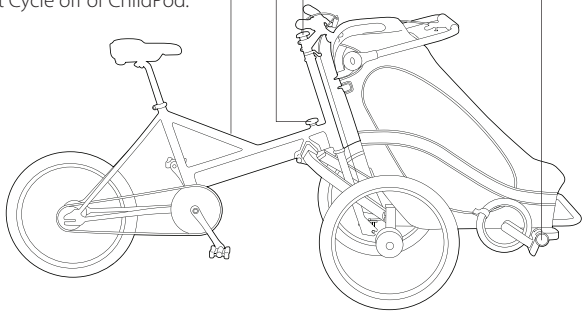


QUICKSTART GUIDE

Coupling and Uncoupling the Zigo® LEADER™



1. Release Velcro Securing Straps and lower Castor Wheels. Be careful not to catch your fingers.
2. Release LeaderLink Brake Coupler. Ensure that it lifts freely.
3. Release Pod Clamp.
4. Lift Cycle off of ChildPod.



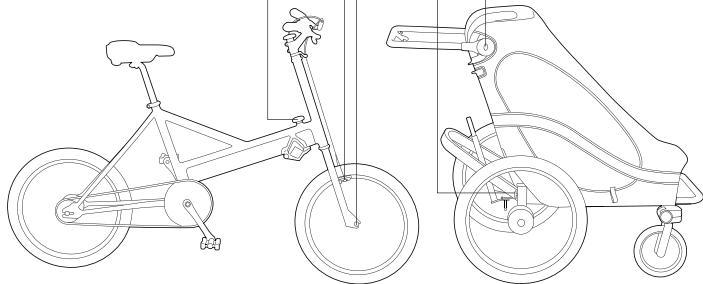
5. Reposition Pushbar backwards.

6. Engage steering lock.

7. Install Cycle Front Wheel.

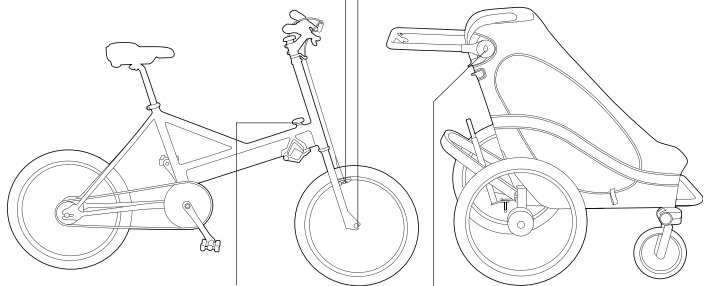
8. Connect Cantilever Brake Straddle Wire.

9. Secure Pod Clamp.



1. Release Straddle wire on the Cycle's Cantilever Brake.

2. Remove Quick Release Front Wheel.



3. Release Pod Clamp.

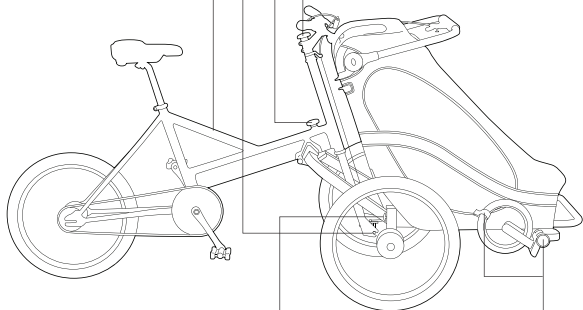
4. Reposition Pushbar forward.

5. Slide Cycle onto Leader-Link Post.

6. Line up fork dropouts with LeaderLink Steering Interface.

7. Secure Pod Clamp.

8. Secure LeaderLink Brake Coupler.



10. Disengage Steering Lock.

9. Raise Castor Wheels and secure with Velcro Securing Straps



WARNING

- * Check that Front Brakes are functional and steering is engaged prior to use.
- * Release Parking Brake prior to use.
- * ALL OF THESE STEPS MUST be completed prior to using the Zigo® LEADER™. Failure to follow these directions can result in injury or death.



Copyright 2007-9 Zigo, Leader, LeaderLink, ChildPod are registered trademarks of Soma Cycle, Inc /d/b/a Zigo, Inc